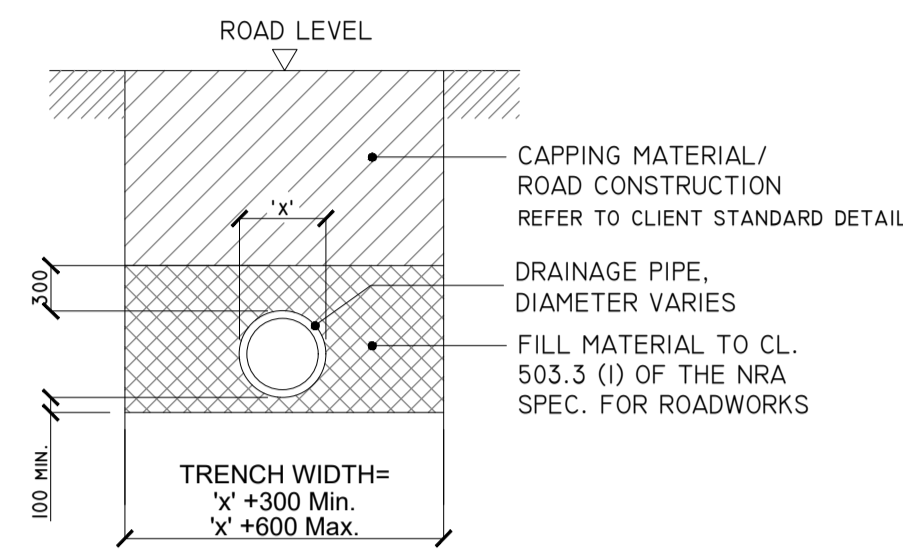


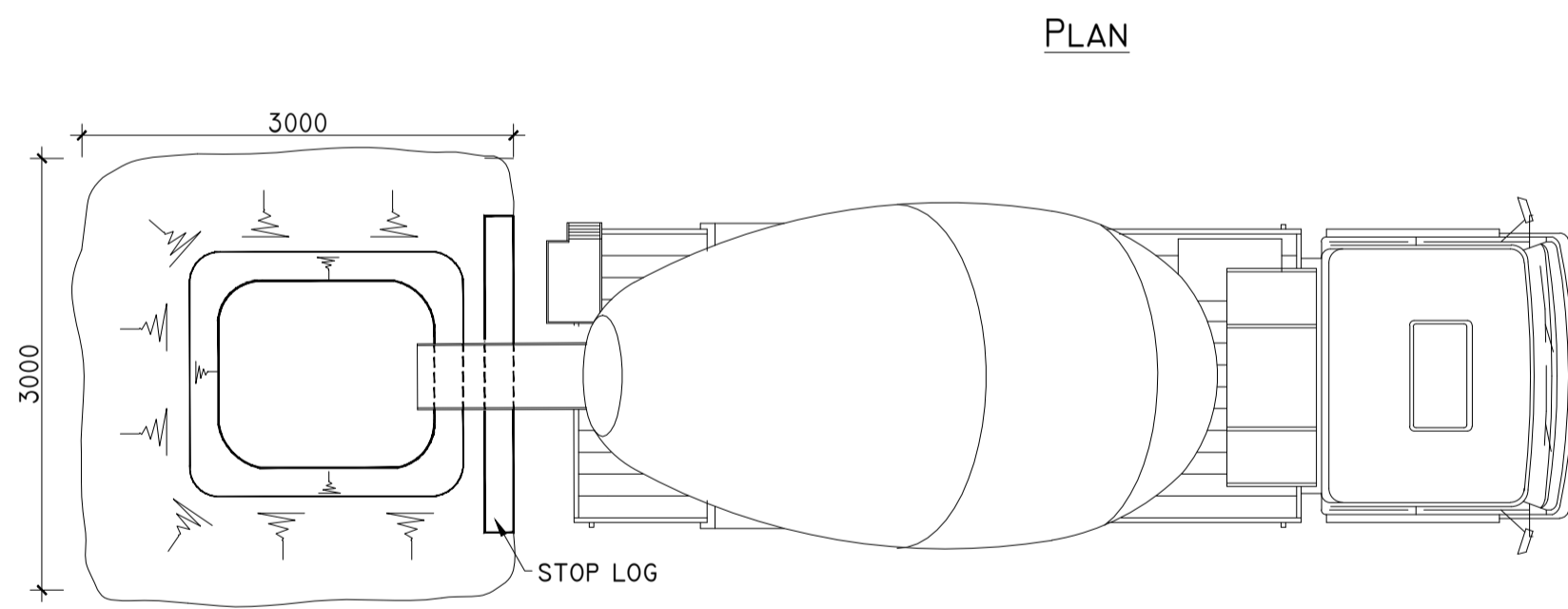
DETAIL F

'TYPE B' CULVERT - DRAINAGE CROSSING BENEATH EXCAVATED ROAD
SCALE 1:50

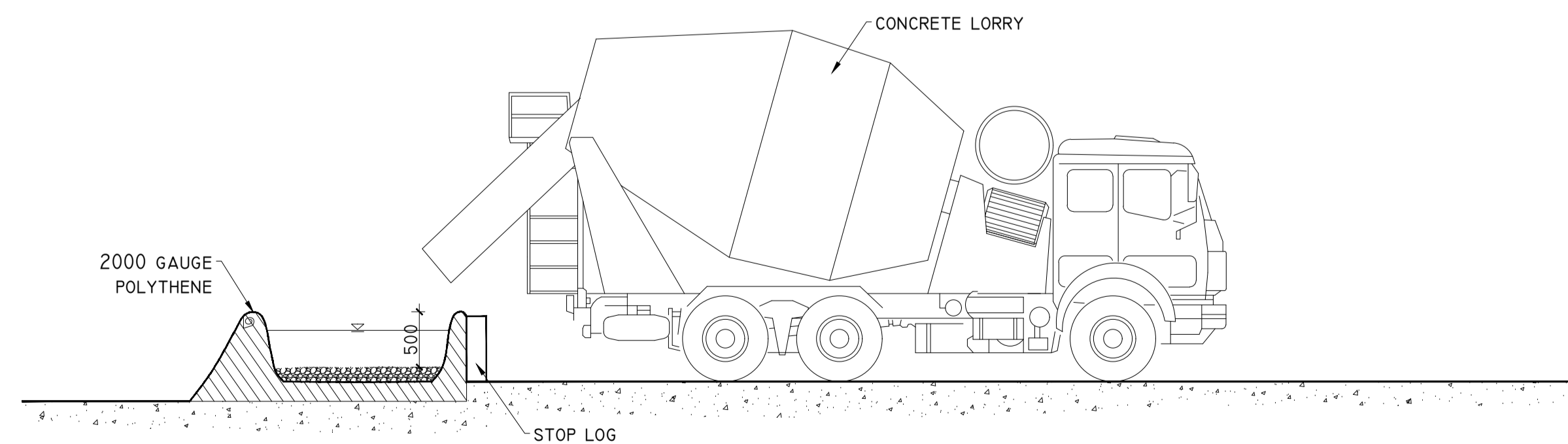


DETAIL I

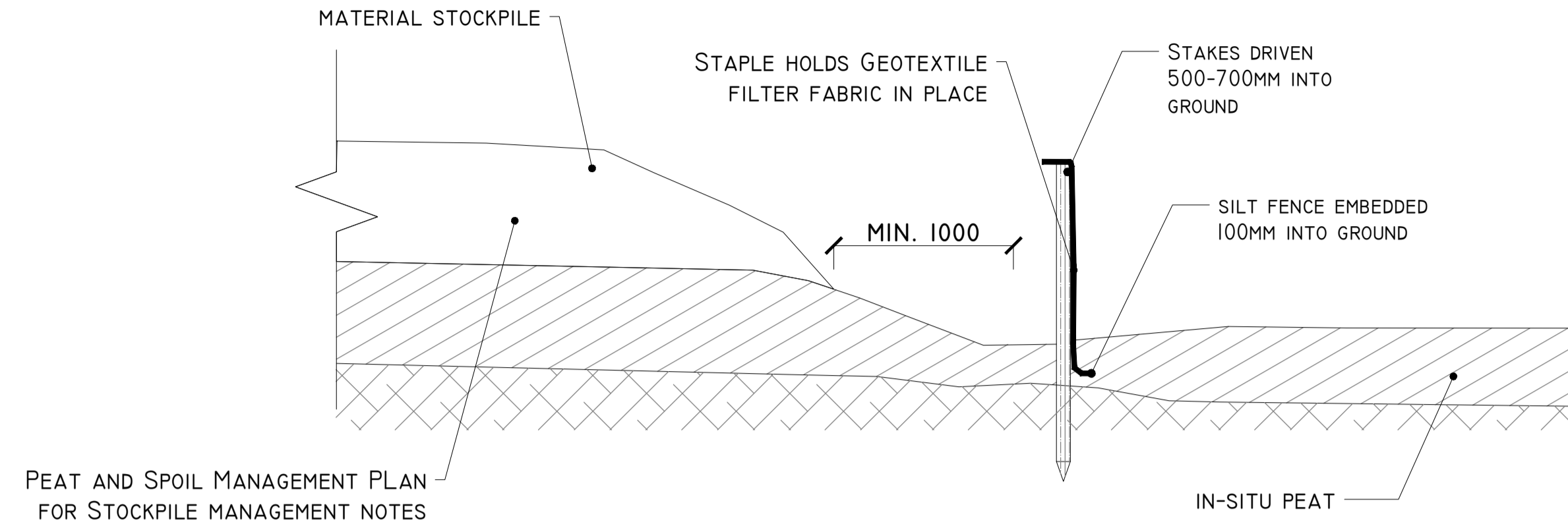
TEMPORARY CONCRETE WASH OUT PIT
SCALE 1:25



ELEVATION



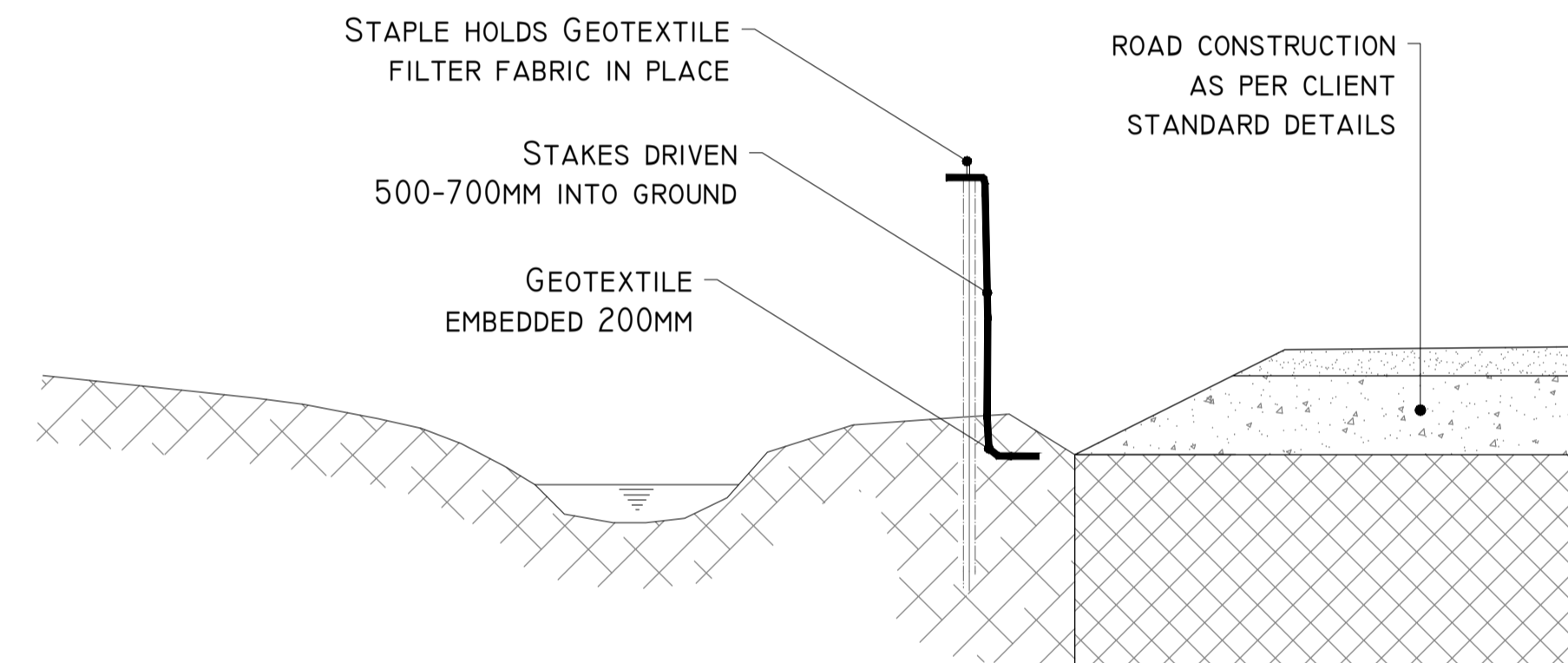
DETAIL G-I



PEAT AND SPOIL MANAGEMENT PLAN
FOR STOCKPILE MANAGEMENT NOTES

SILT FENCE
SCALE 1:25

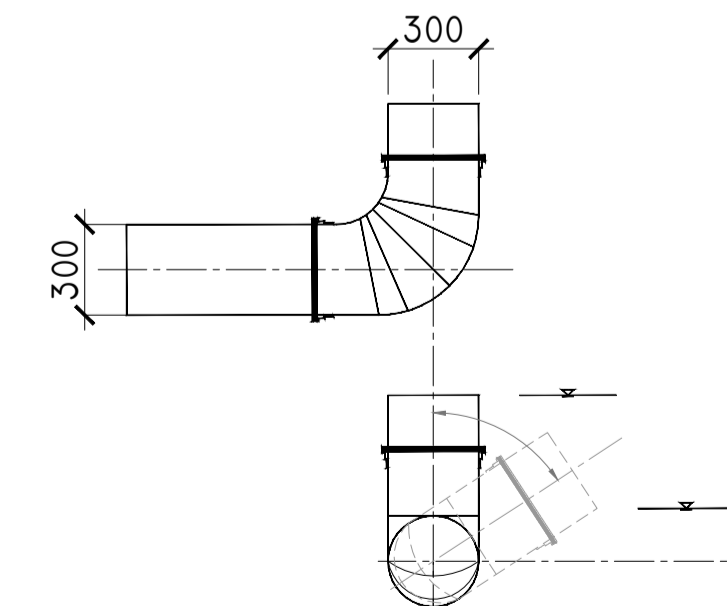
DETAIL G-II



SILT FENCE FOR WATERCOURSE PROTECTION
SCALE 1:25

DETAIL H

90° U BEND AND WATER LEVEL CONTROL MECHANISM
SCALE 1:25



PROJECT DESIGN DRAWING NOTES:
1. PLEASE NOTE THIS DRAWING IS FOR PLANNING PURPOSES ONLY, AND FURTHER DETAILED SPECIFICATION WILL BE REQUIRED FOR THE EXECUTION OF THE WORKS TO ENSURE THEY MEET REQUIRED RELEVANT DESIGN STANDARDS, AND POTENTIAL PLANNING CONDITIONS.
2. DRAWINGS NOT TO BE USED FOR CONSTRUCTION /CONTRACT CONDITIONS.
3. COPYRIGHT, ALL RIGHTS RESERVED. NO PART HERE WITH MAY BE COPIED OR REPRODUCED PARTIALLY OR WHOLLY IN ANY FORM WHATSOEVER WITHOUT THE PRIOR NOTICE OF THE COPYRIGHT OWNER HYDRO-ENVIRONMENTAL SERVICES.
4. DO NOT SCALE OFF THIS DRAWING. FIGURED METRIC DIMENSIONS ONLY SHOULD BE TAKEN OFF THIS DRAWING.
5. THE USE OF OR RELIANCE UPON THIS DRAWING SHALL BE DEEMED TO BE ACCEPTANCE OF THESE CONDITIONS OF USE UNLESS OTHERWISE AGREED IN WRITING. SUCH WRITTEN AGREEMENT TO BE SOUGHT FROM AND ISSUED BY THE COPYRIGHT HOLDER TO THE USE OR RELIANCE UPON THIS DRAWING.

Date	Description	Chkd	Signed
05.10.16	Planning - Rev A	M.G.	M.Gill

Revisions

HYDRO ENVIRONMENTAL SERVICES
22 Lower Main St
Dungannon
Co. Wexford
Ireland

tel: +353 (0) 58-44122
tel: +353 (0) 58-44244
email: info@hydroenvironmental.ie
web: www.hydroenvironmental.ie

Client: **BORD NA MONA POWERGEN LTD**

Job: **BALLIVOR WIND FARM,
Co. WESTMEATH/MEATH**

Title: **DRAINAGE DETAILS 2**

Figure No: **D502**

Drawing No: **P1510-0-0323-A1-D502-Rev A**

Sheet Size: **A1** Project No.: **P1510**
Scale: **as shown (A1)** Drawn By: **G.D./M.Gill**
Date: **27/03/2023** Checked By: **M.G.**