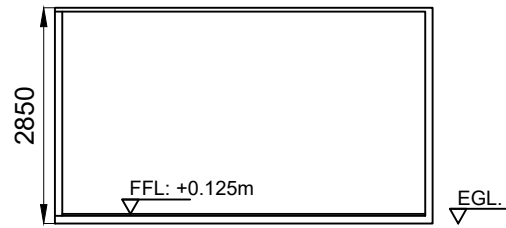
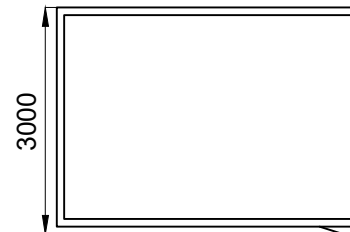


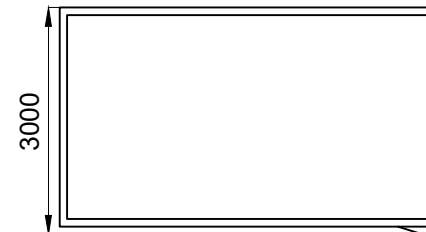
STORAGE UNIT - REAR ELEVATION  
SCALE 1:100



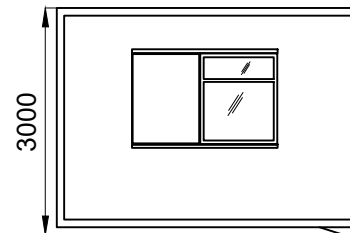
STORAGE UNIT  
SECTION B-B  
SCALE 1:100



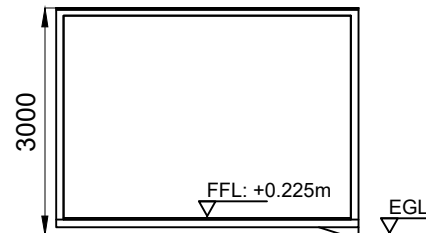
DRYING ROOM -  
SIDE ELEVATION  
SCALE 1:100



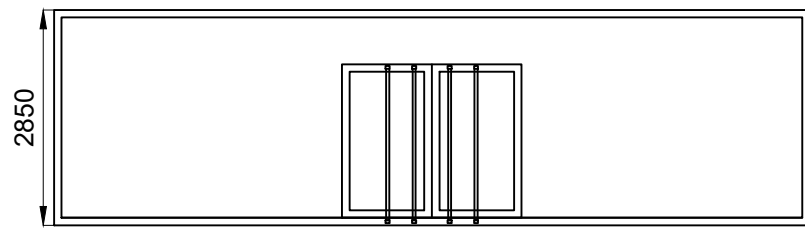
DRYING ROOM & TOILETS-REAR  
ELEVATION  
SCALE 1:100



TOILETS -  
SIDE ELEVATION  
SCALE 1:100



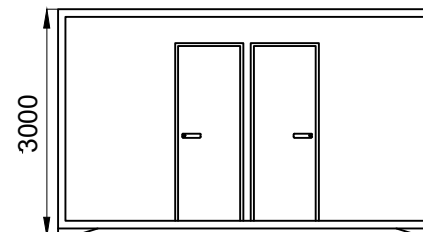
DRYING ROOM & TOILETS -  
SECTION C-C  
SCALE 1:100



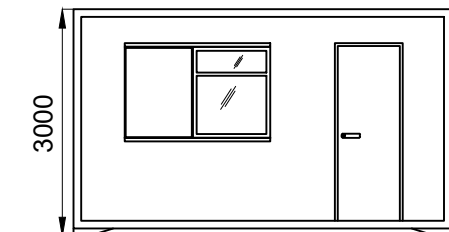
STORAGE UNIT - FRONT ELEVATION  
SCALE 1:100



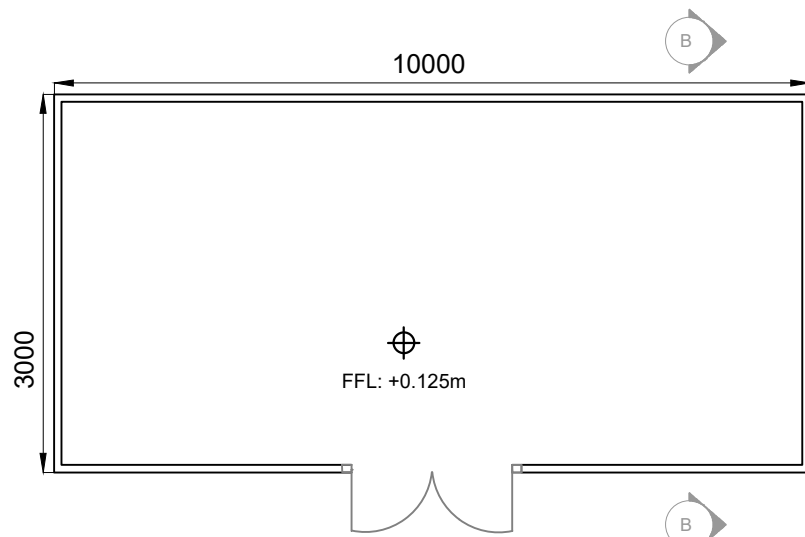
STORAGE UNIT  
SIDE ELEVATION  
SCALE 1:100



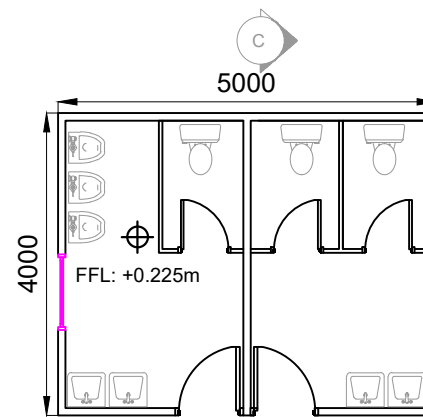
TOILETS -  
FRONT ELEVATION  
SCALE 1:100



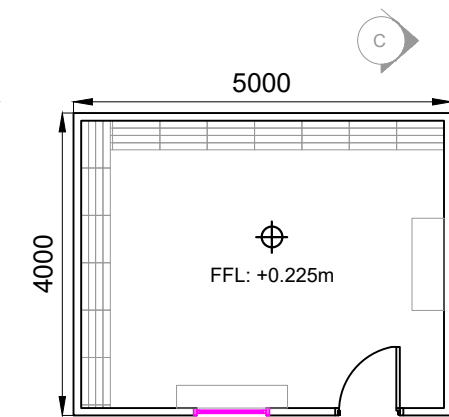
DRYING ROOM -  
FRONT ELEVATION  
SCALE 1:100



STORAGE UNIT - PLAN  
SCALE 1:100



TOILETS -  
FLOOR PLAN  
SCALE 1:100



DRYING ROOM -  
FLOOR PLAN  
SCALE 1:100

DRAWING TITLE: <b>Compound Cabin Details</b>	
PROJECT TITLE: <b>Ballivor Wind Farm, Co. Meath &amp; Co. Westmeath</b>	
DRAWING BY: <b>Joseph O'Brien</b>	CHECKED BY: <b>Karen Mulryan</b>
PROJECT No.: <b>191137</b>	DRAWING No.: <b>191137 - 93</b>
SCALE: <b>1:100 @ A3</b>	DATE: <b>27.03.2023</b>

**MKO**  
Planning and  
Environmental  
Consultants  
Tuam Road, Galway  
Ireland, H91 VW84  
+353 (0) 91 735611  
email: info@www.mkofireland.ie  
Website: www.mkofireland.ie