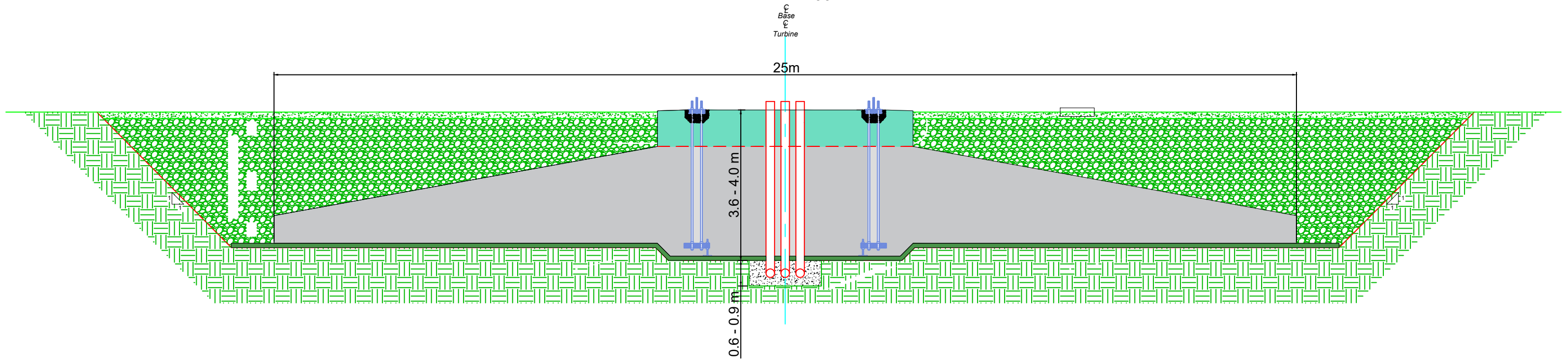
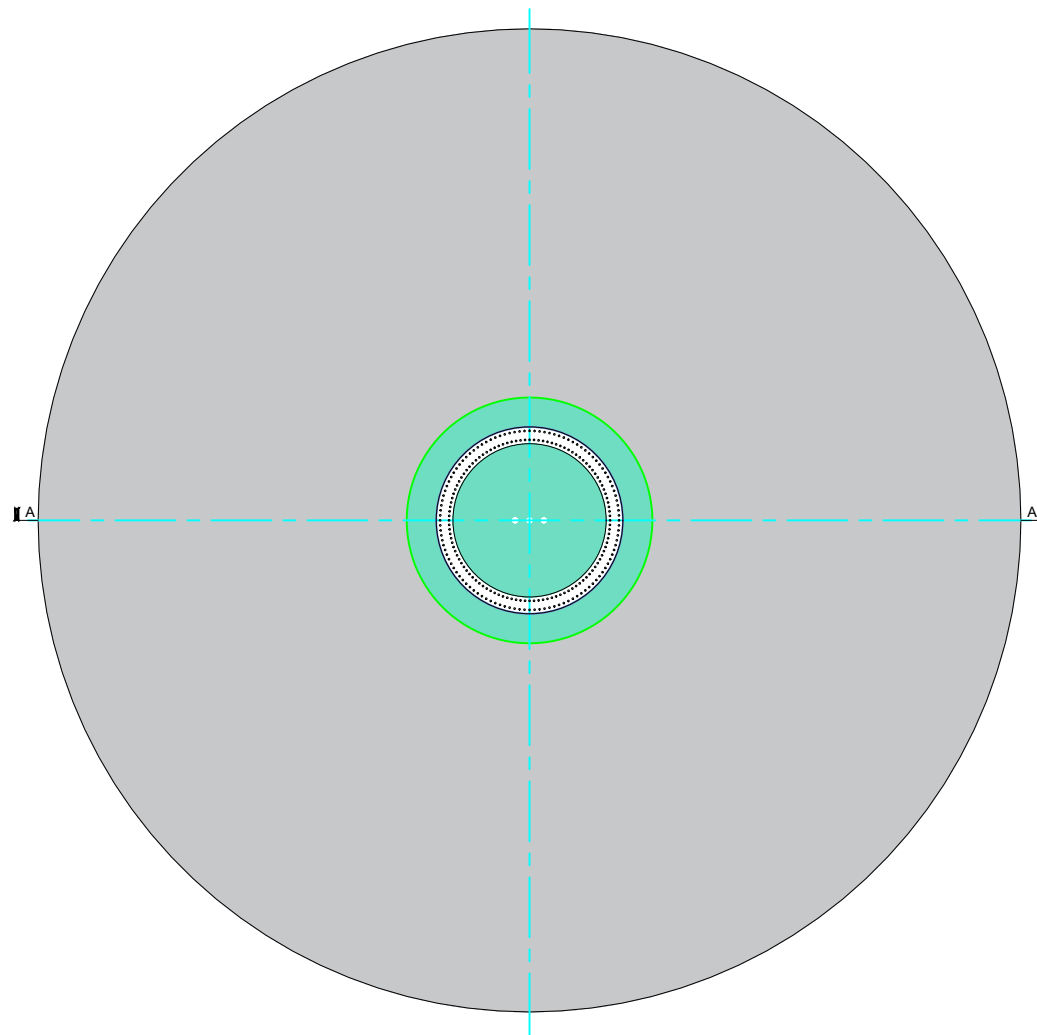


Section A-A
Scale 1:100



Plan
Scale: 1:200



DRAWING TITLE: Gravity Foundations Details	
PROJECT TITLE: Ballivor Wind Farm, Co. Meath & Co. Westmeath	
DRAWING BY: Joseph O'Brien	CHECKED BY: Karen Mulryan
PROJECT No: 191137	DRAWING No.: 191137 - 58
SCALE: As Shown @A3	DATE: 27.03.2023

MKO
Planning and
Environmental
Consultants

Tuam Road, Galway
Inisard, N91, V9W84
+353 (0)91 735611
email: info@www.mkofireland.ie
Website: www.mkofireland.ie